



corryville  
**EATERY  
 &  
 LOFT**

Interior Design Studio  
 3rd Year  
 Spring Semester

Corryville Kroger  
 1 W Corry St.,  
 Cincinnati, OH  
 45219  
 Location

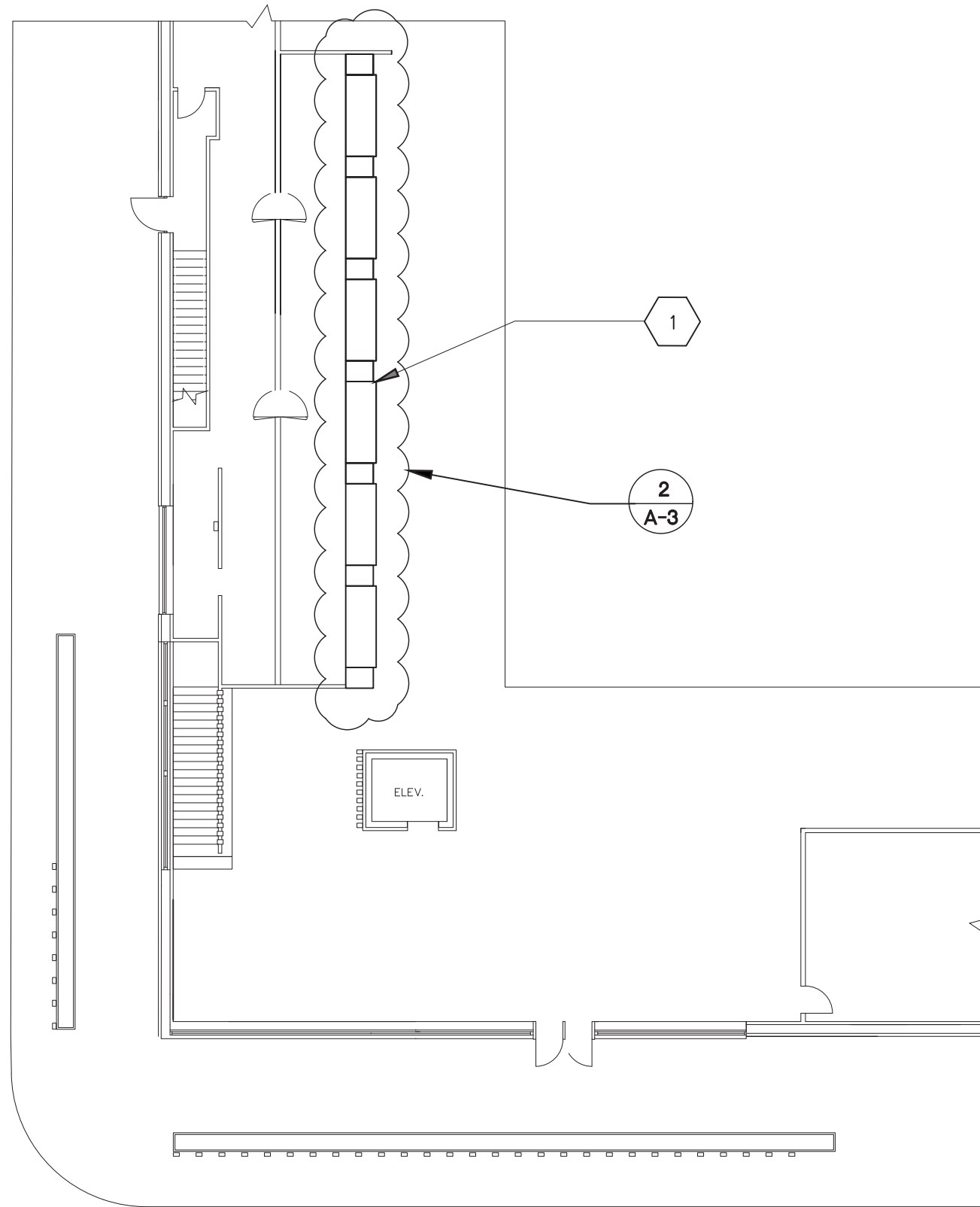
Colleen Smith  
 Merielle Jurlina  
 Designers

22 April, 2016  
 Date Issued

**A-0**  
 Sheet Number

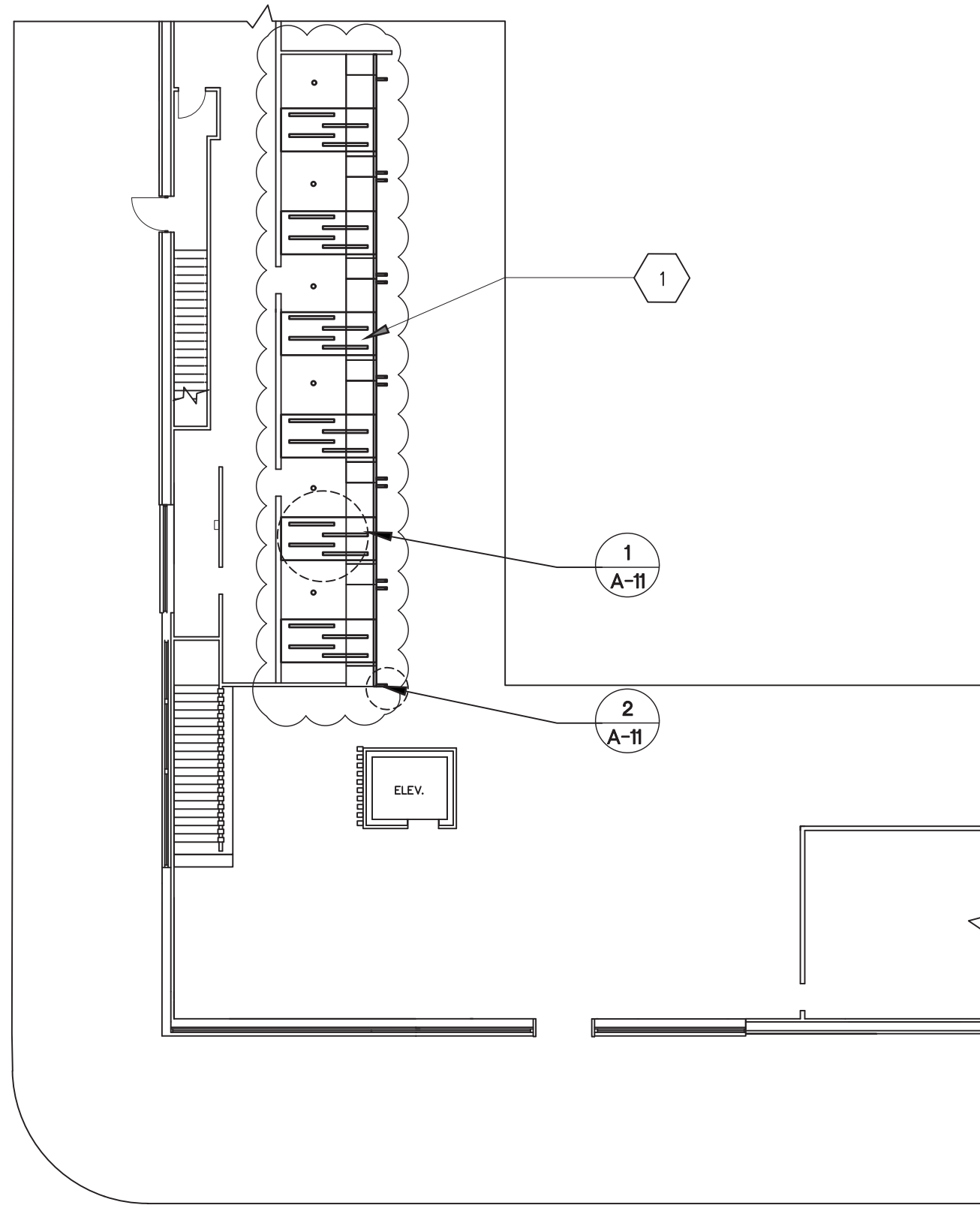
## SHEET INDEX

Sheet Number	Sheet Title	Scale
A-1	Floor Plan	1/16"=1'-0"
A-2	Reflected Ceiling Plan	1/16"=1'-0"
A-3	West Elevation	1/8"=1'-0"
A-4	West Elevation (Single Unit)	1/8"=1'-0"
A-5	Back Detail: Panel Attachment	3/8"=1'-0"
A-6	North Elevation: Overhang	1/2"=1'-0"
A-7	North Elevation: Cabinet	1 1/2"=1'-0"
A-8	Section: Cabinet	1"=1'-0"
A-9	Section: Overhang	1/2"=1'-0"
A-10	Section: Details	6"=1'-0"
A-11	Lighting: Section Details	1"=1'-0" 3"=1'-0"



① FIRST FLOOR PLAN  
SCALE: 1/16" = 1'-0"

<p>DRAWING NOTES</p> <p>1. FOOD STATIONS</p>	
<p>Corryville Kroger 1 W Corry St, Cincinnati, OH 45219</p> <p style="text-align: right;">LOCATION</p>	
<p>Colleen Smith Merielle Jurlina</p> <p style="text-align: right;">DESIGNERS</p>	
<p>Floor Plan</p> <p style="text-align: right;">SHEET TITLE</p>	
<p style="text-align: center; font-size: 2em;"><b>A-1</b></p> <p style="text-align: right;">SHEET NUMBER</p>	



① REFLECTED CEILING PLAN  
 SCALE: 1/16" = 1'-0"

DRAWING NOTES

1. FOOD STATIONS

Corryville Kroger  
 1 W Corry St, Cincinnati,  
 OH 45219  
 LOCATION

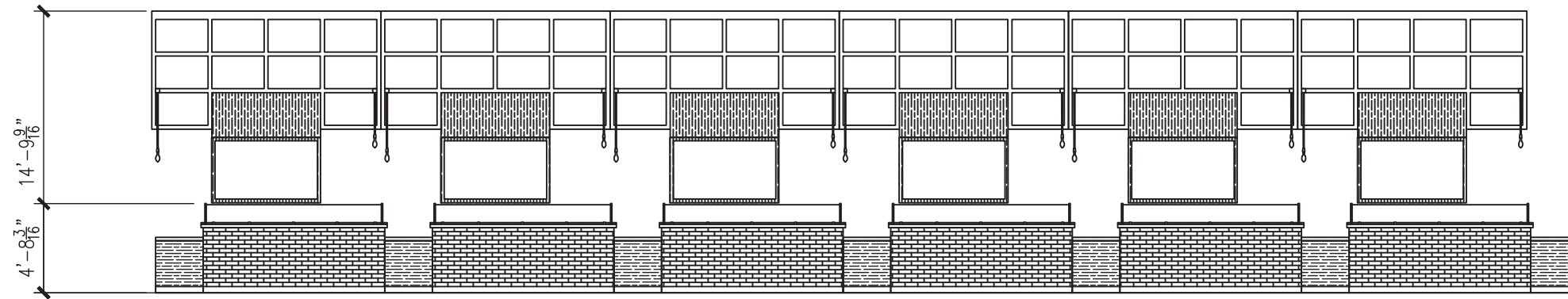
Colleen Smith  
 Merielle Jurlina  
 DESIGNERS

Reflected Ceiling Plan  
 SHEET TITLE

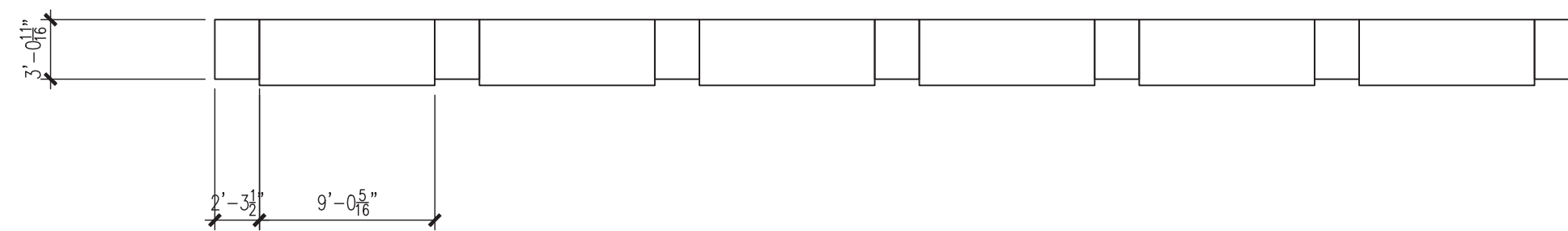
**A-2**  
 SHEET NUMBER



DRAWING NOTES



① WEST ELEVATION  
SCALE: 1/8" = 1'-0"



② PLAN  
SCALE: 1/8" = 1'-0"

Corryville Kroger  
1 W Corry St, Cincinnati,  
OH 45219

LOCATION

Colleen Smith  
Merielle Jurlina

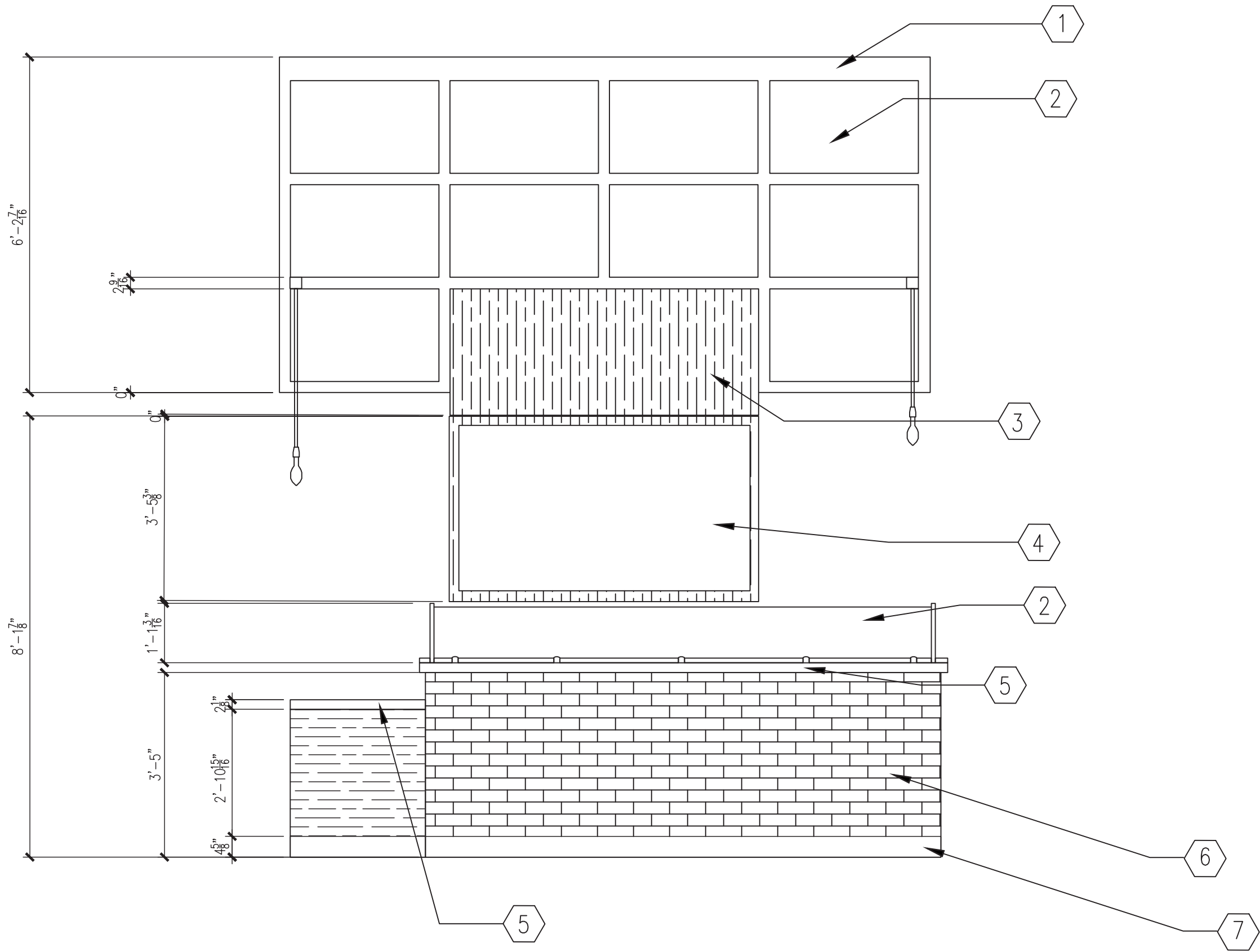
DESIGNERS

West Elevation

SHEET TITLE

A-3

SHEET NUMBER



① WEST ELEVATION  
SCALE: 1/2" = 1'-0"

DRAWING NOTES

1. 1'-1/2" Blackened Steel Frame
2. 1/4" Tempered Low-Iron Glass
3. 3/4" Baltic Birch Plywood with Medium Brown Water Based Dye Stain
4. 1/4" Chalk Board
5. 2" Stainless Steel Counter
6. 2"x6" White Subway Tile
7. 1/8" Blackened Steel Kick Base

Corryville Kroger  
1 W Corry St, Cincinnati,  
OH 45219

LOCATION

Colleen Smith  
Merielle Jurlina

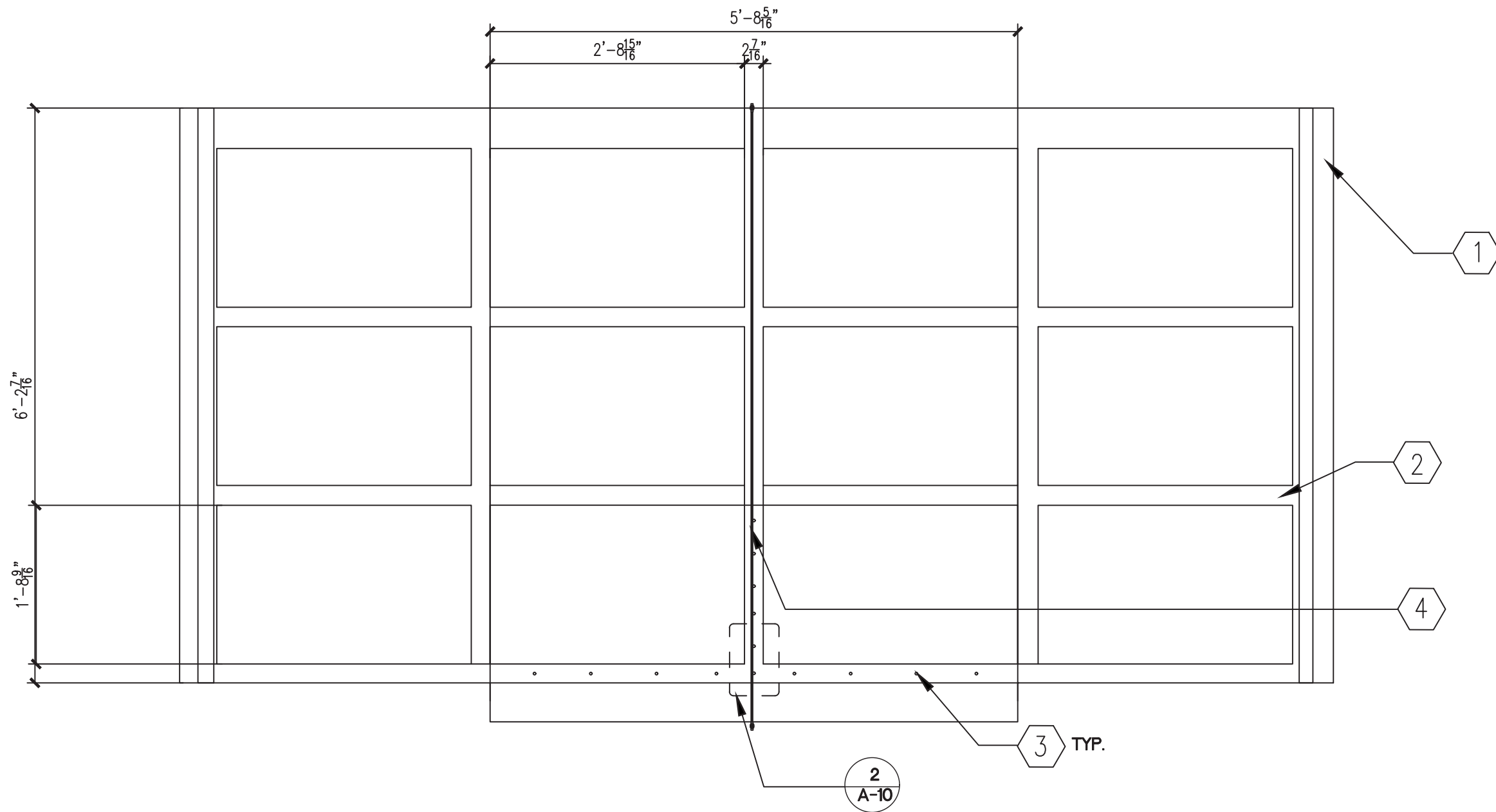
DESIGNERS

West Elevation-Single Unit

SHEET TITLE

**A-4**

SHEET NUMBER



DRAWING NOTES

1. DRYWALL PARTITION
2. 1 1/2" BLACKENED STEEL FRAME
3. 4" GALVANIZED SCREW
4. 1/8" STAINLESS STEEL CABLE

Corryville Kroger  
 1 W Corry St, Cincinnati,  
 OH 45219

LOCATION

Colleen Smith  
 Merielle Jurlina

DESIGNERS

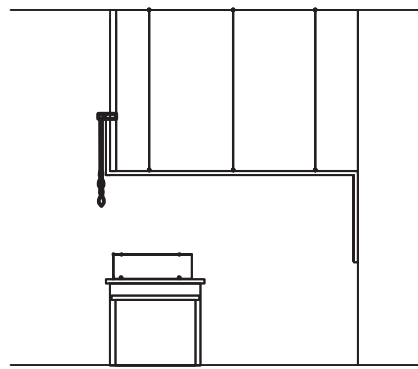
Back Detail: Panel Attachment

SHEET TITLE

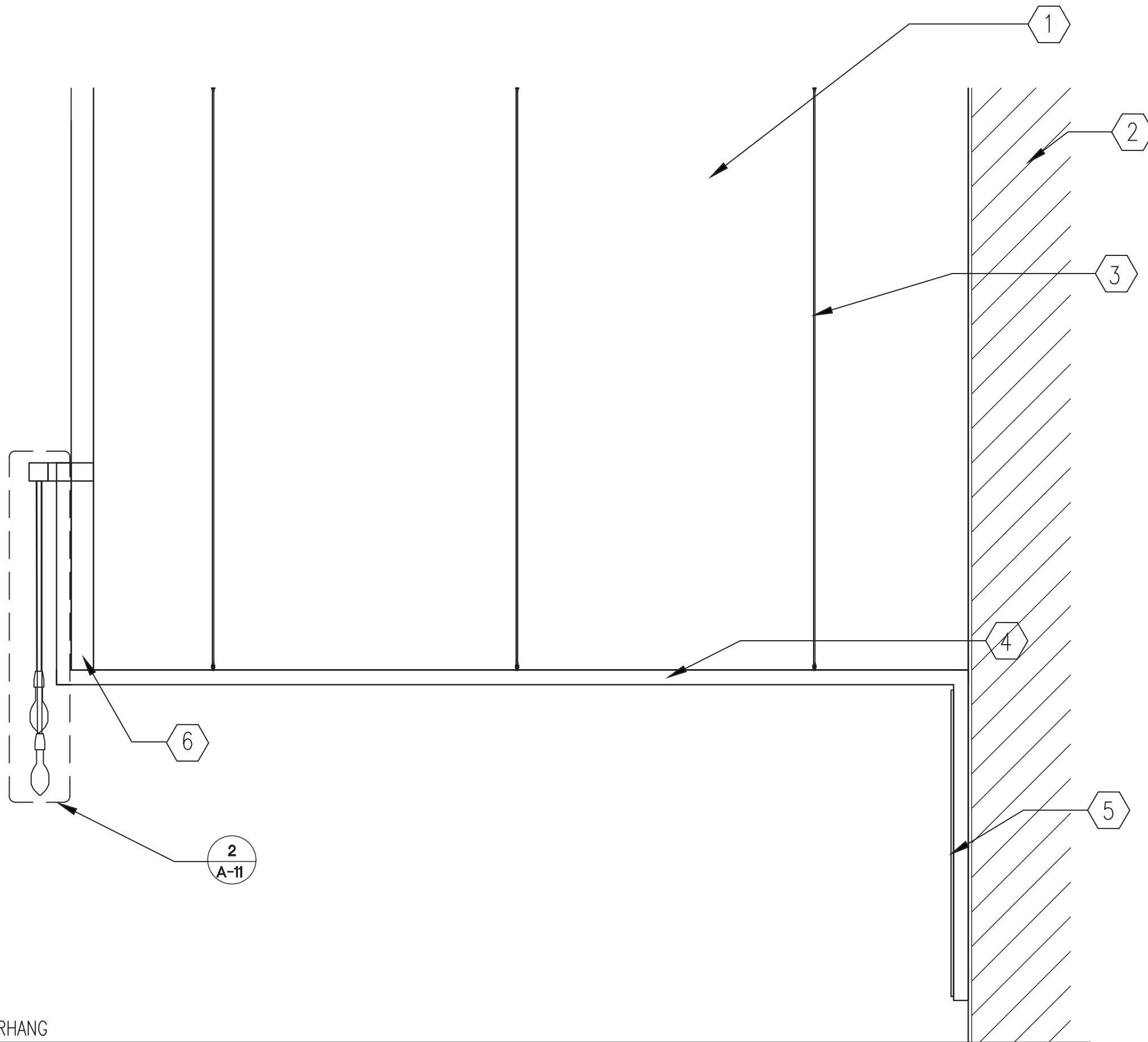
**A-5**

SHEET NUMBER

① BACK DETAIL: PANEL ATTACHMENT  
 SCALE: 3/8" = 1'-0"



SCALE: 1/8" = 1'-0"



- DRAWING NOTES
1. Drywall Partition
  2. 5" Gypsum Board Wall
  3. 1/8" Stainless Steel Cable
  4. 3/4" Baltic Birch Plywood with Medium Brown Water Based Dye Stain
  5. 1/4" Chalk Board
  6. 1 1/2" Blackened Steel

Corryville Kroger  
 1 W Corry St, Cincinnati,  
 OH 45219  
 LOCATION

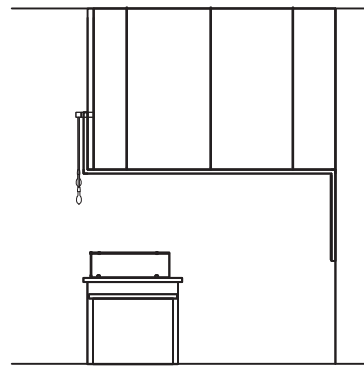
Colleen Smith  
 Merielle Jurlina  
 DESIGNERS

North Elevation: Overhang  
 SHEET TITLE

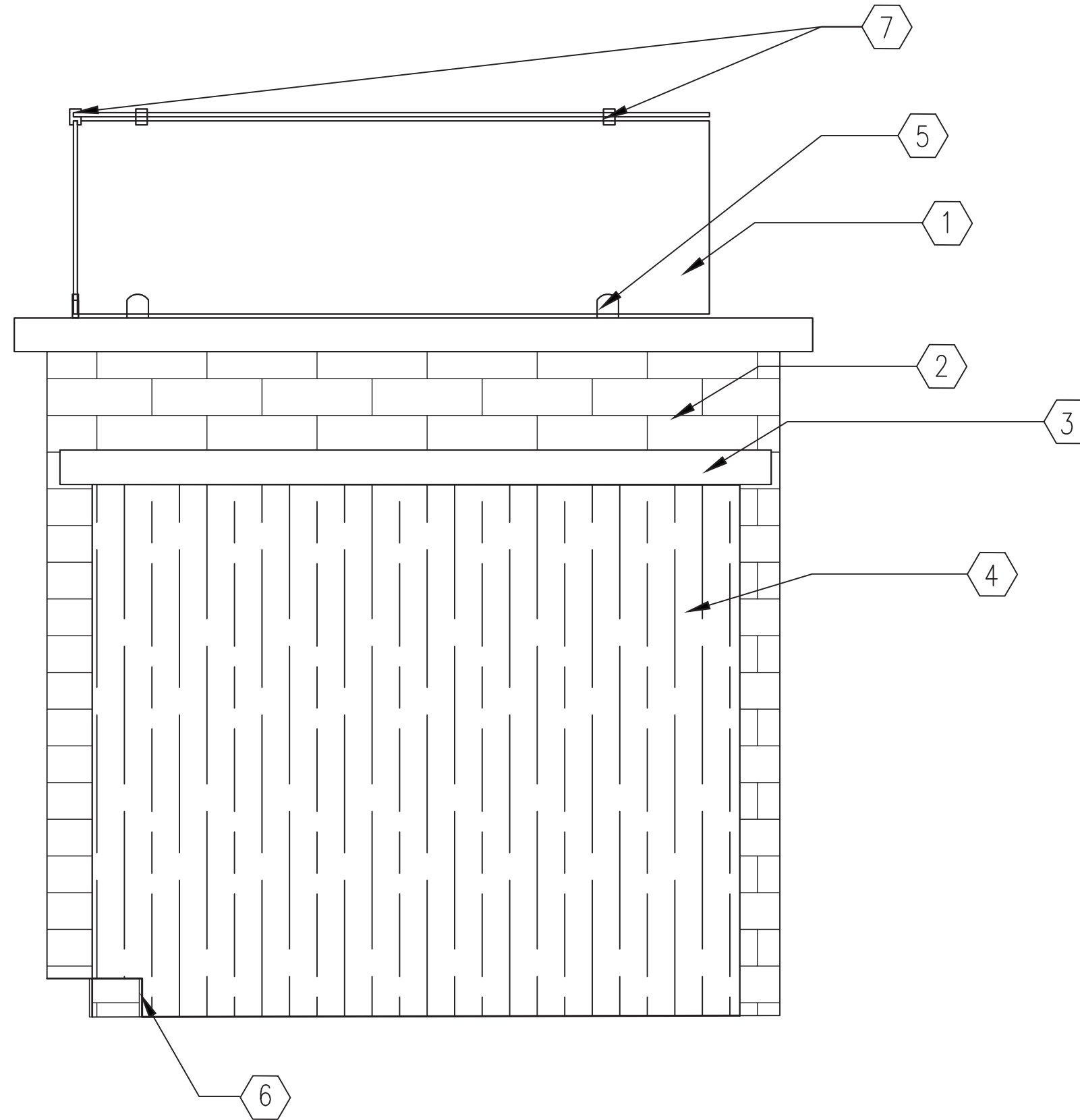
**A-6**

SHEET NUMBER

① NORTH ELEVATION OVERHANG  
 SCALE: 1/2" = 1'-0"



SCALE: 1/8" = 1'-0"



DRAWING NOTES

1. 1/4" Tempered Low-Iron Glass
2. 2"x6" White Subway Tile
3. 2" Stainless Steel Counter
4. 3/4" Baltic Birch Plywood with Medium Brown Water Based Dye Stain
5. Stainless Steel "D" shaped glass clamp with flat base and satin finish for 1/4" glass
6. 1/8" Blackened Steel Kick Base
7. Stainless Steel glass corner connector with Satin Finish for 1/4" glass

Corryville Kroger  
 1 W Corry St, Cincinnati,  
 OH 45219  
 LOCATION

Colleen Smith  
 Merielle Jurlina  
 DESIGNERS

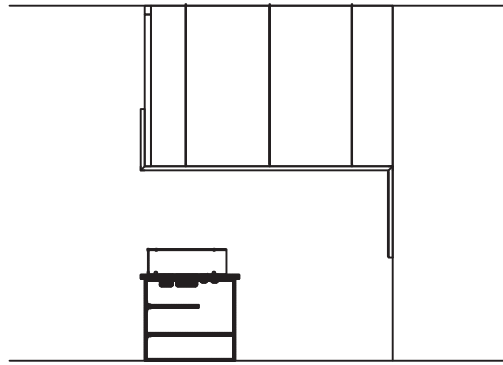
North Elevation: Counter  
 SHEET TITLE

**A-7**

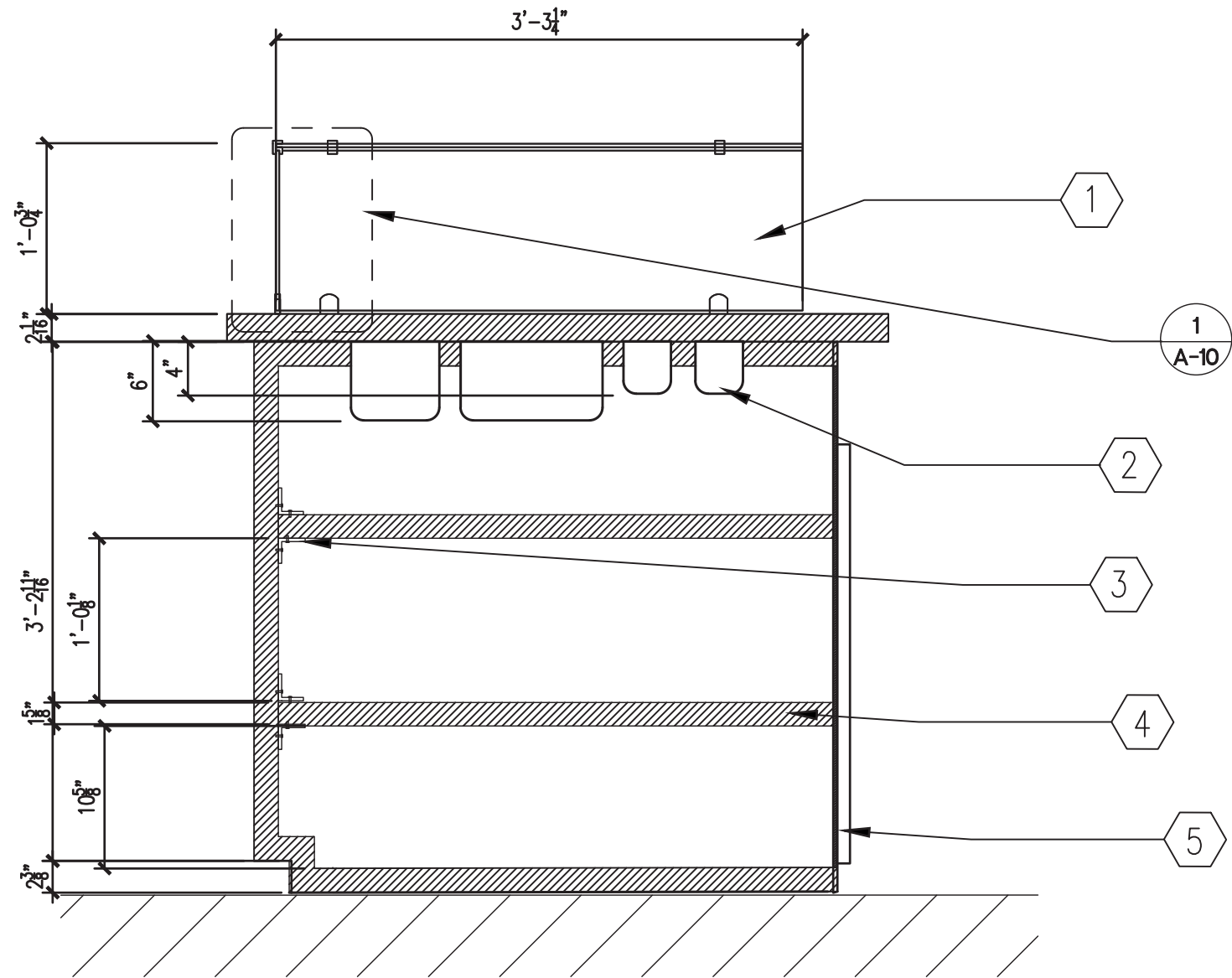
SHEET NUMBER

① NORTH ELEVATION: COUNTER  
 SCALE: 1 1/2" = 1'-0"





SCALE: 1/8" = 1'-0"



DRAWING NOTES

1. 1/4" Tempered Low-Iron Glass
2. 4-6" deep Stainless Steel Food Pan
3. Stainless Steel 2-3/8" Angle Bracket
4. 3/4" Baltic Birch Plywood
5. Stainless Steel Door

Corryville Kroger  
1 W Corry St, Cincinnati,  
OH 45219

LOCATION

Colleen Smith  
Merielle Jurlina

DESIGNERS

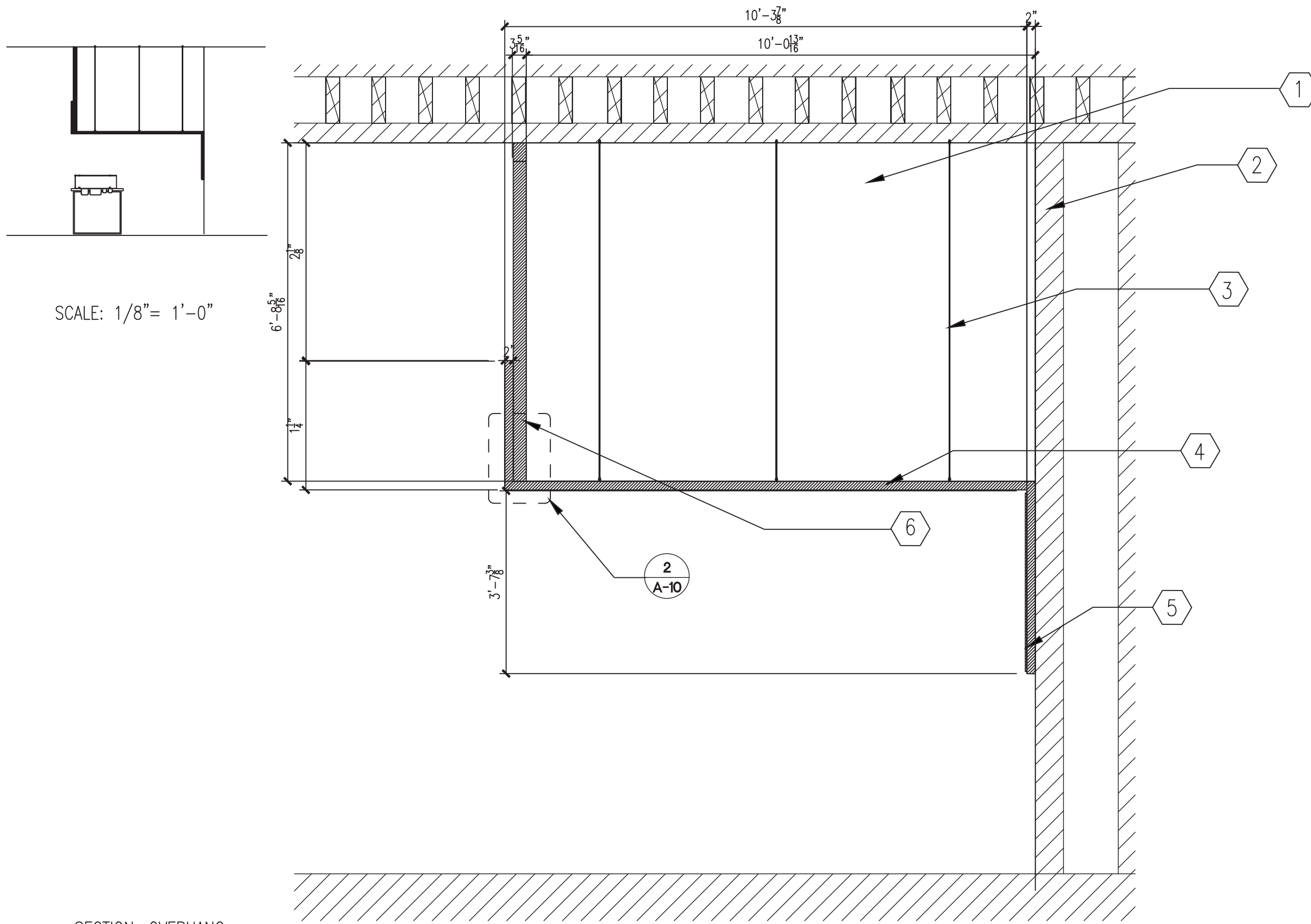
Section: Cabinet

SHEET TITLE

**A-8**

SHEET NUMBER

SECTION: CABINET  
SCALE: 1" = 1'-0"



SCALE: 1/8" = 1'-0"

① SECTION: OVERHANG  
SCALE: 1/2" = 1'-0"

DRAWING NOTES

- 1. Drywall Partition
- 2. 5" Gypsum Board Wall
- 3. 1/8" Stainless Steel Cable
- 4. 3/4" Baltic Birch Plywood with Medium Brown Water Based Dye Stain
- 5. 1/4" Chalk Board
- 6. 1 1/2" Blackened Steel

Corryville Kroger  
1 W Corry St, Cincinnati,  
OH 45219

LOCATION

Colleen Smith  
Merielle Jurlina

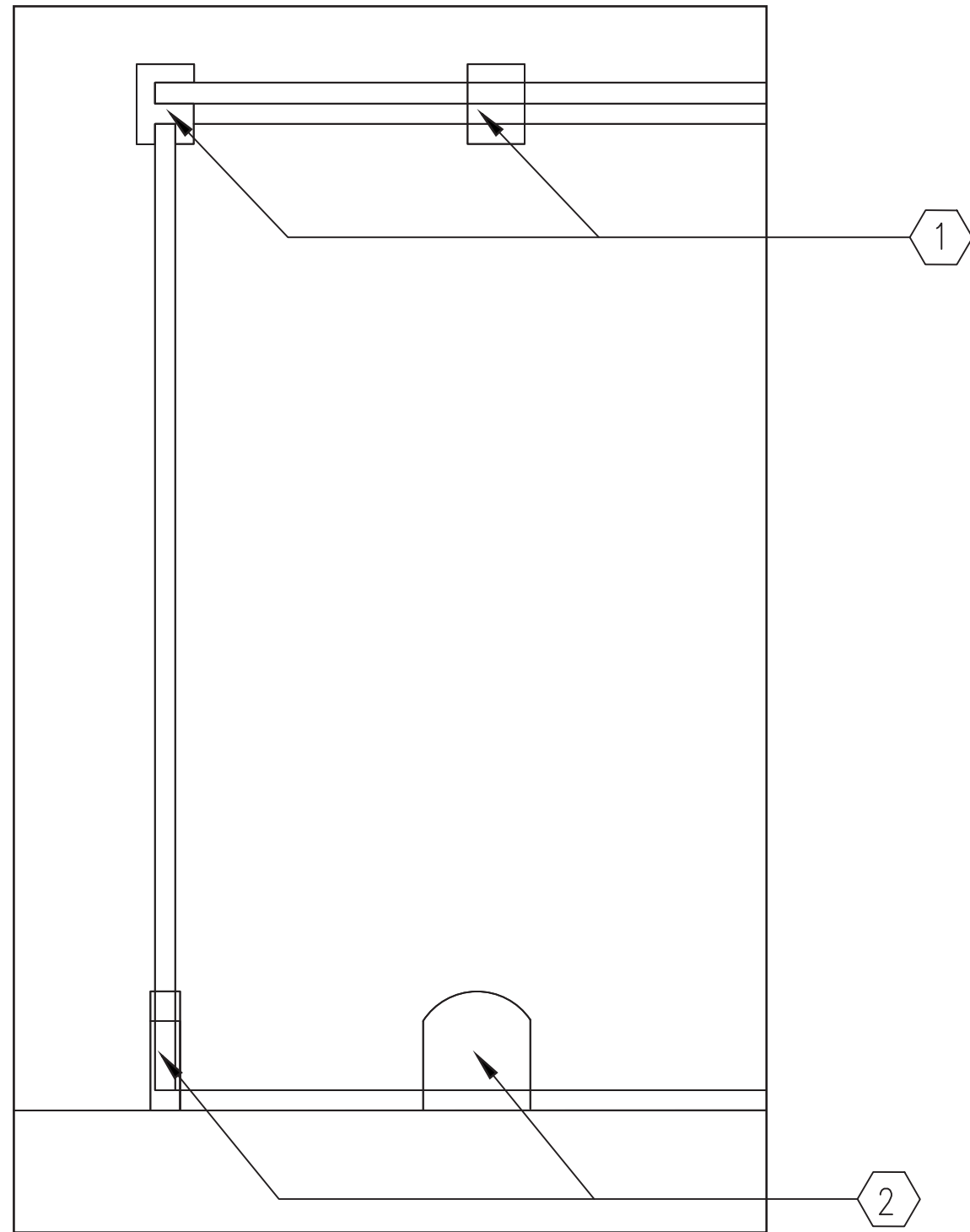
DESIGNERS

Section: Overhang

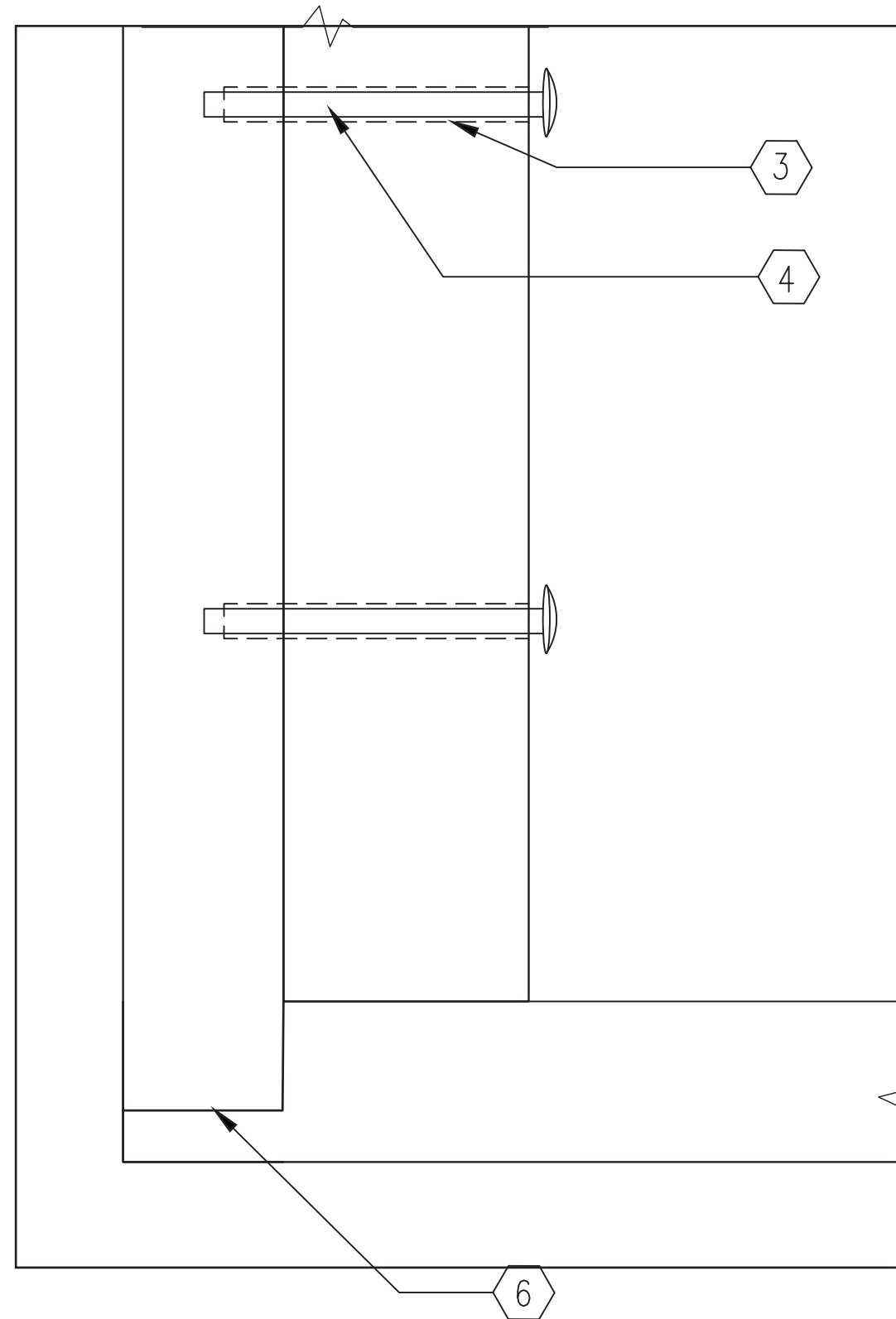
SHEET TITLE

**A-9**

SHEET NUMBER



① SECTION: GLASS HARDWARE AT CABINET  
SCALE: 0'-6" = 1'-0"



② ELEVATION: OVERHANG DETAIL  
SCALE: 6" = 1'-0"

DRAWING NOTES

1. Stainless Steel glass corner connector with Satin Finish for 1/4" glass
2. Stainless Steel "D" shaped glass clamp with flat base and satin finish for 1/4" glass
3. Pre-drilled Hole
4. 4" Galvanized Screws
5. Rabbet Joint with wood glue

Corryville Kroger  
1 W Corry St, Cincinnati,  
OH 45219

LOCATION

Colleen Smith  
Merielle Jurlina

DESIGNERS

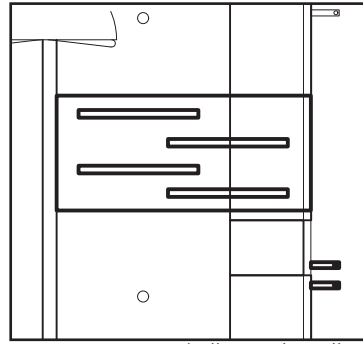
Section: Glass Hardware  
at Cabinet

Section: Overhang Detail

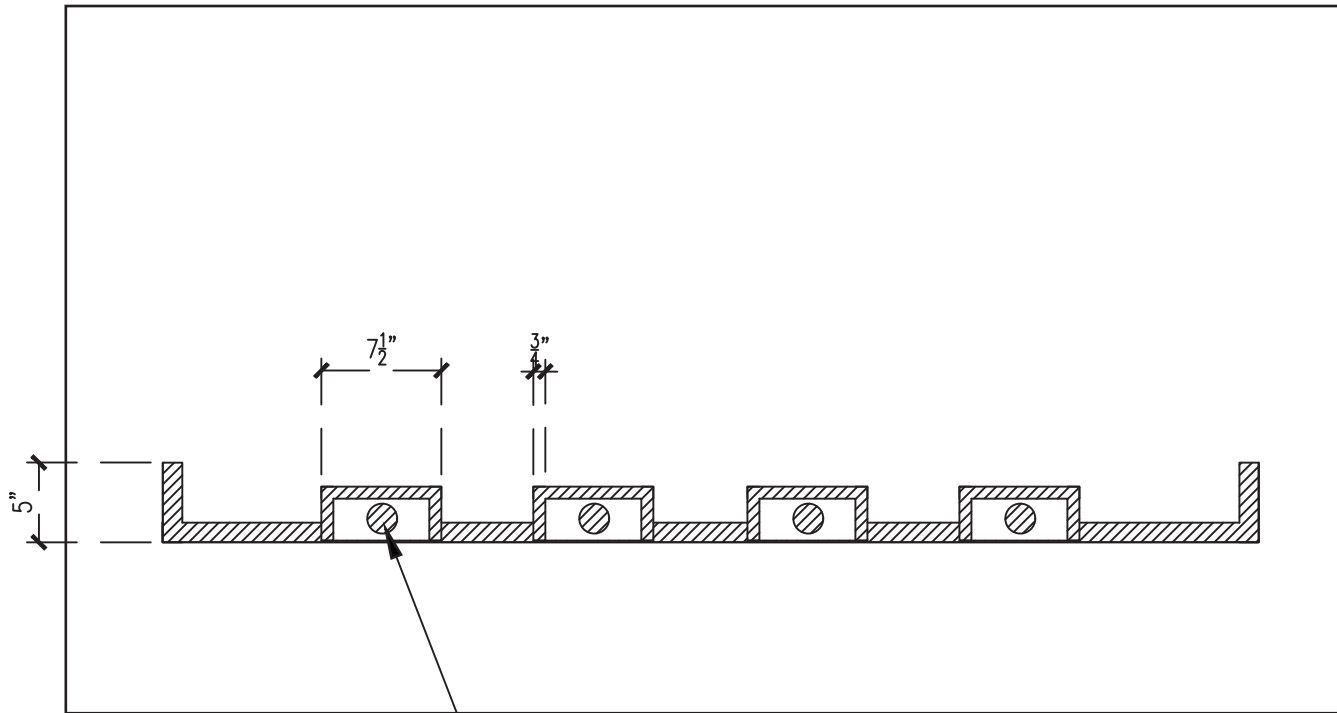
SHEET TITLE

**A-10**

SHEET NUMBER

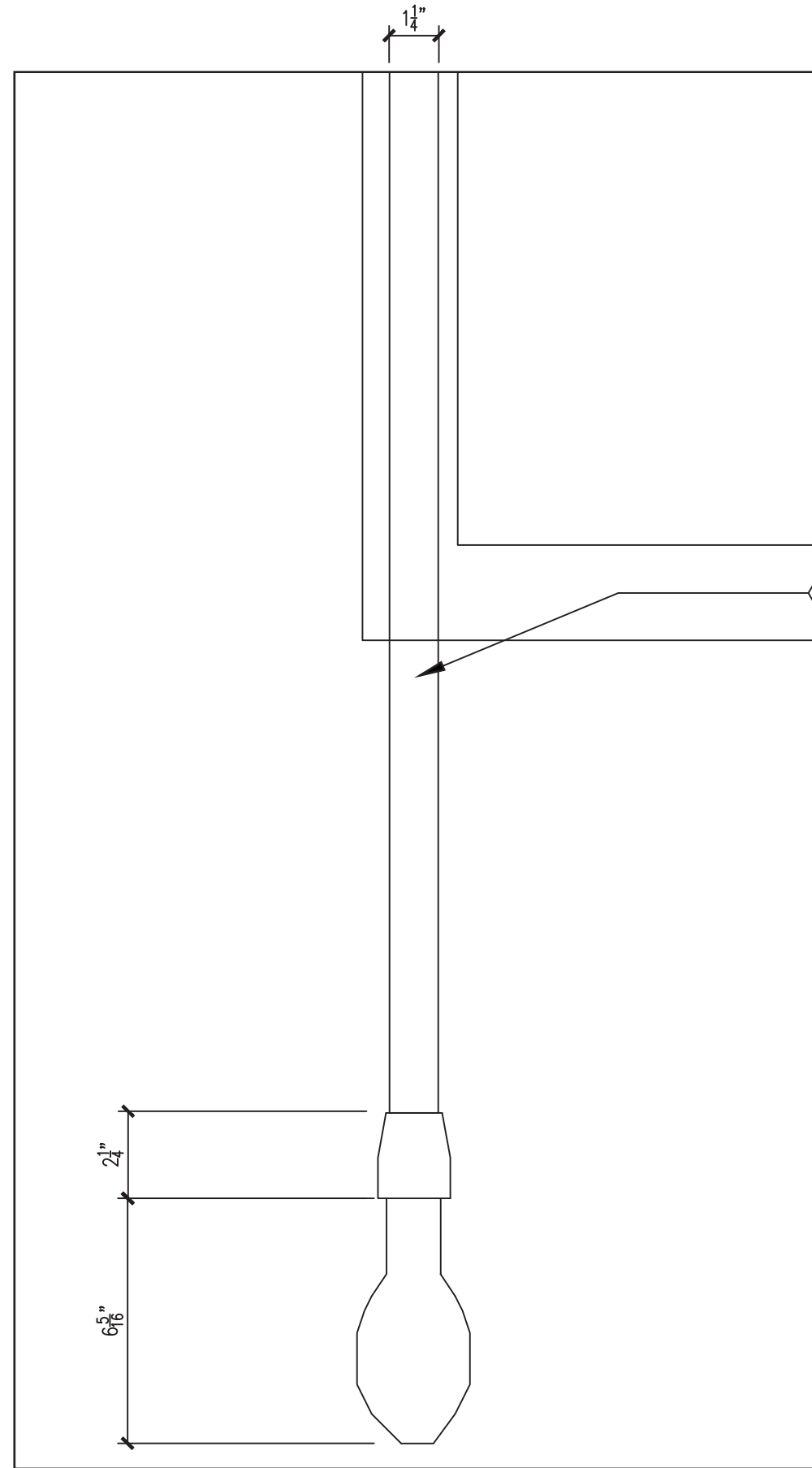


SCALE: 1/8" = 1'-0"



1 TYP.

1 LIGHTING SECTION: INSET DETAIL  
SCALE: 1" = 1'-0"



2 LIGHTING: PENDANT DETAIL  
SCALE: 0'-3" = 1'-0"



DRAWING NOTES

1. Fluorescent Tube Lamp, 50 W
2. 3' Mini Pendant with Matte Black Finish, 120 V, 60 W

2

Corryville Kroger  
1 W Corry St, Cincinnati,  
OH 45219

LOCATION

Colleen Smith  
Merielle Jurlina

DESIGNERS

Lighting Section Detail

SHEET TITLE

A-11

SHEET NUMBER